

ACCESSORIES FOR PNA, PHNA



ZP3




Disconnecting links

- They are used wherever it is necessary to disconnect power supply or for various reasons to replace fuse-links (when measuring etc.).
- They are used in fuse switch-disconnectors, fuse-rails and fuse-bases.

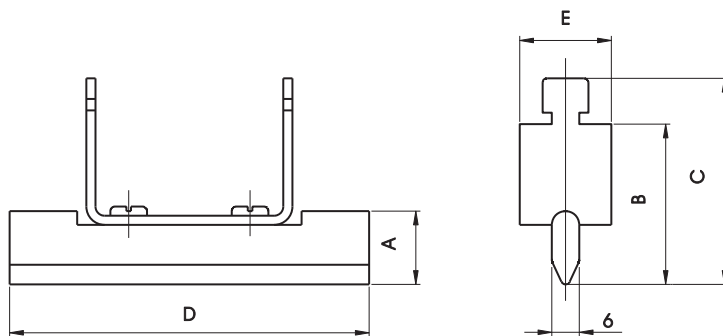
I _n [A]	Type	Order code	Size	Weight [kg]	Package [pcs]
160	ZP000 ¹⁾	OEZ:06401	000, 00	0.09	3
250	ZP1	OEZ:06402	1	0.17	3
400	ZP2	OEZ:06403	2	0.23	3
630	ZP3	OEZ:06404	3	0.29	3
1000	ZP3/1000	OEZ:10442	3	0.35	3
1250	TM4a/1250A	OEZ:10446	4a	1.58	1
1600	TM4a/1600A	OEZ:14801	4a	1.60	1

¹⁾ It can be used in fuse switch-disconnectors of size 000, 00 and fuse-bases size 00

Specifications

Type	ZP..
Standards	IEC 60269-1, -2 EN 60269-1, -2; DIN 43 620
Approval marks	  

Dimensions



Type	Dimensions [mm]				
	A	B	C	D	E
ZP000	15	35	45	78.5	20.0
ZP1	20	40	50	135.0	20.0
ZP2	25	48	58	150.0	20.0
ZP3	32	60	70	150.0	20.0
ZP3/1000	40	60	70	150.0	20.0
TM4a/1250A	50	89	98	200.0	30.0
TM4a/1600A	50	108	118	200.0	44.5